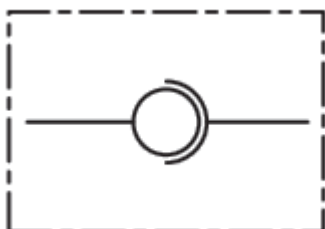
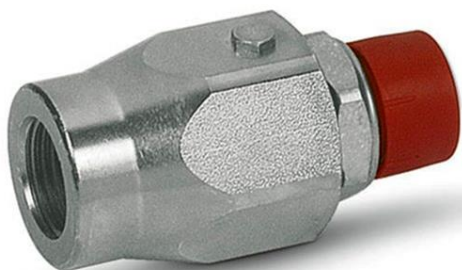


Rotary coupling

Straight

AGG



USE AND OPERATION

These valves are mounted between the end of a flexible hose and a fixed component to compensate the hose's rotations and torsions and to prevent its damaging. **They are not suitable for fast and continuous rotations.** They are used in every production field where systems have flexible moving hose. In-line mounting.

MATERIALS AND FEATURES

Body: zinc-plated steel

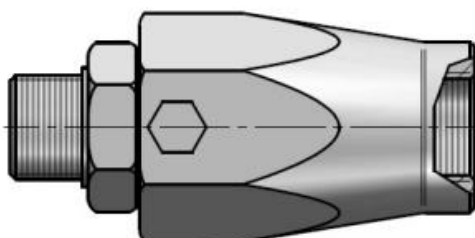
Tightness: low friction seals

APPLICATION

Connect parts P to the uses.

ON REQUEST

NPT thread



1/4" - 3/8" - 1/2" - 3/4" - 1"

Type	Max. flow L/min.	Max. rotation pressure Bar	Max. pressure Bar	Max. rotation speed Turn/min.	Weight kg
AGG 1/4"	25	200	400	212	0,206
AGG 3/8"	35	200	400	173	0,264
AGG 1/2"	60	150	300	160	0,338
AGG 3/4"	100	150	300	120	0,546
AGG 1"	180	100	300	100	0,910

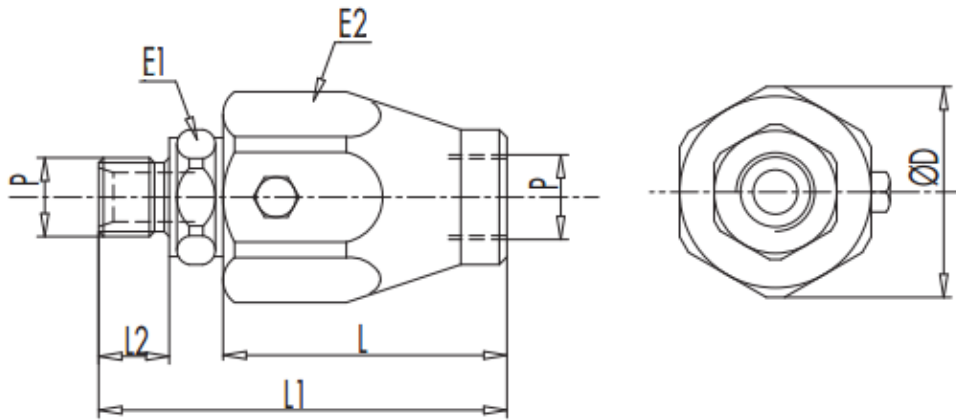
Rotary coupling

Straight

AGG



DIMENSIONS



Type	P GAS/BSP	L mm	L1 mm	L2 mm	E1 mm	E2 mm	ØD mm
AGG 1/4"	1/4"	42	61	11	19	30	33
AGG 3/8"	3/8"	44	66	14	24	34	37
AGG 1/2"	1/2"	47	71	15	27	36	40
AGG 3/4"	3/4"	50	80	19	34	45	49
AGG 1"	1"	57	90	21	41	50	54,5