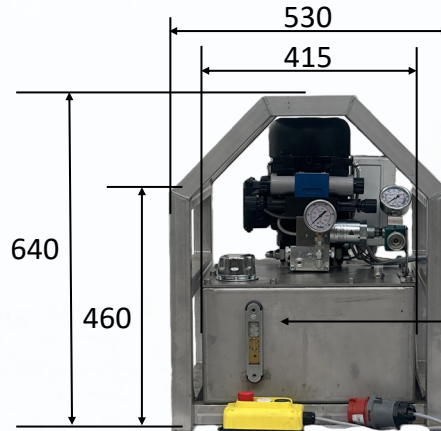
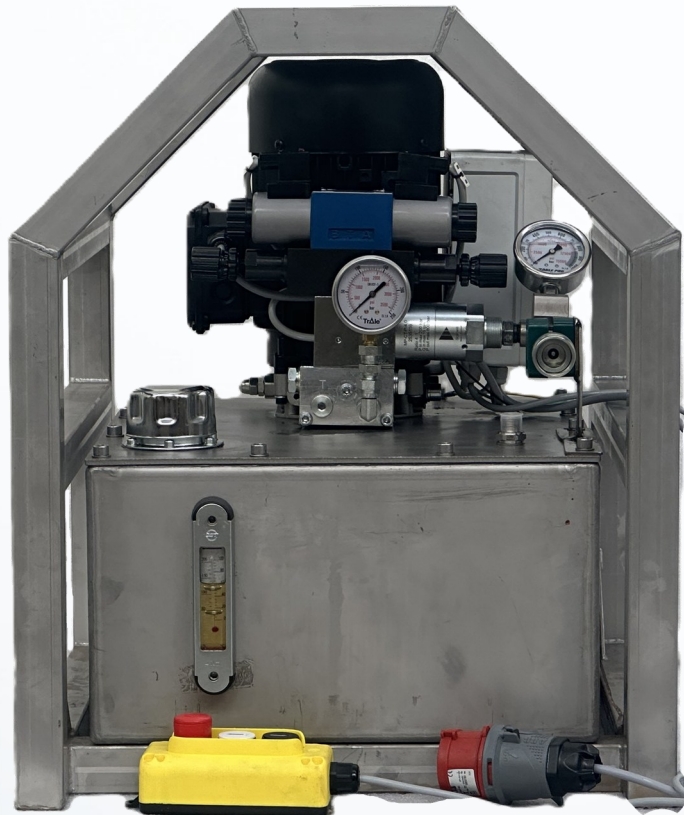
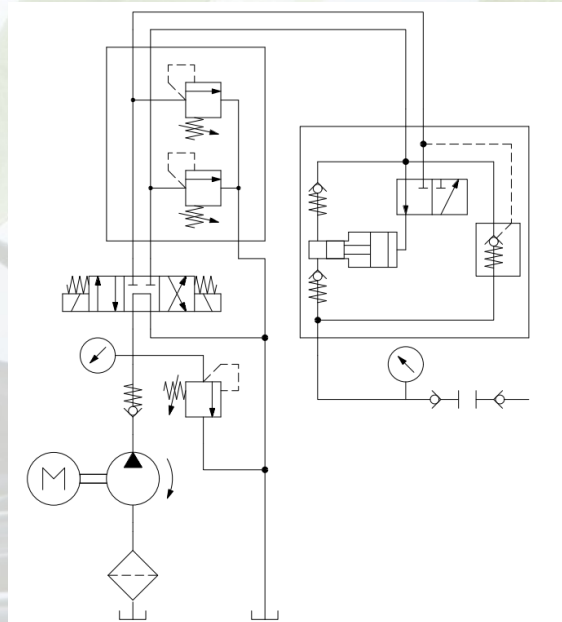


HPU-35 Hydraulic Power Unit



Hydraulic Circuit



ELECTRIC MOTOR

Power: 3 kW
Voltage: 230/400 V AC
3-phase

PUMP & OIL TANK

Pump displacement: 2,1 cc/rev
Tank Capacity: 40 liter square tank

MAX. PRESSURE

P: 700 bar

FLOW

0,4 L/min
(average)



TAON Hydraulic Components ApS are specialists in hydraulic solutions, components and tool.

TAON Hydraulic Components ApS • +45 24 48 84 80 • info@taon.dk • www.taon.dk

© TAON Hydraulic will always help you find the best solution.