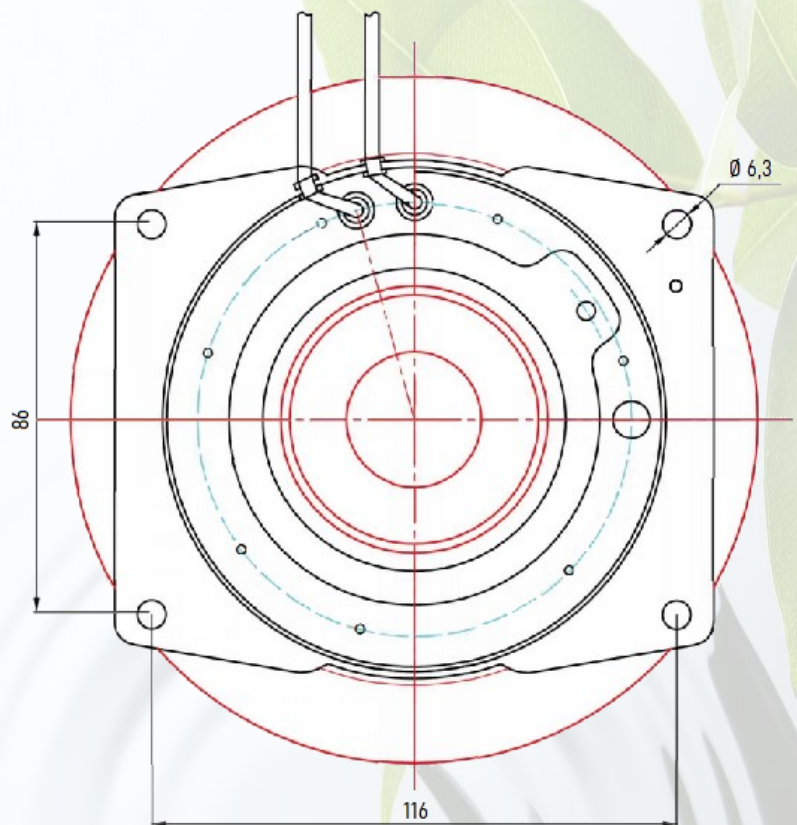
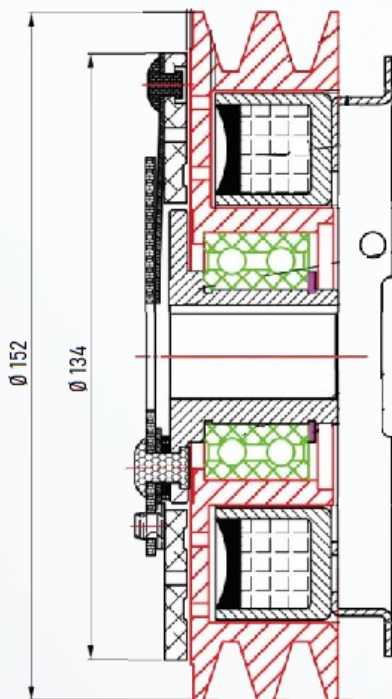


Power steering pump - Magnetic clutch

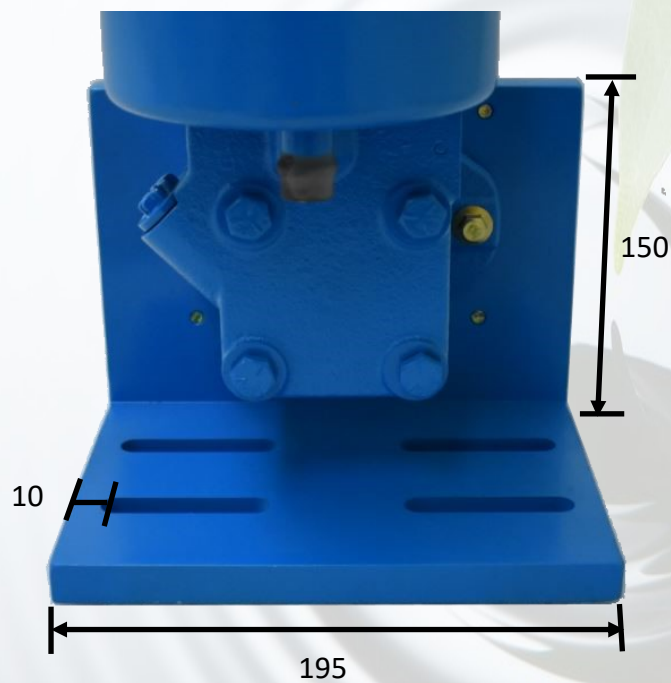
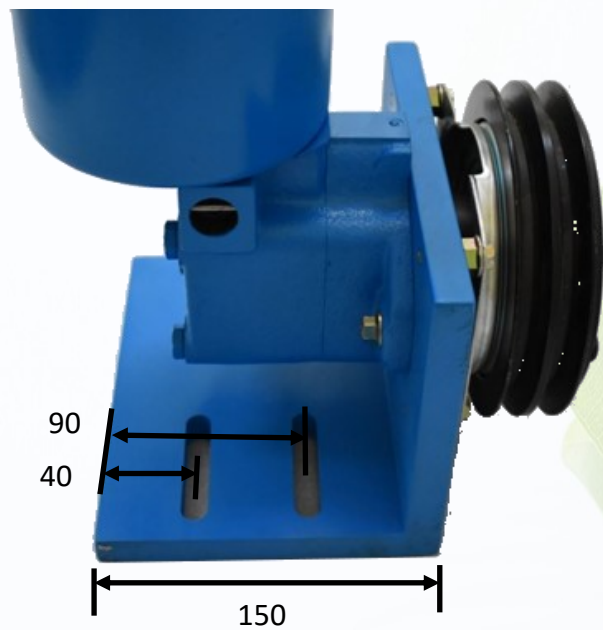
VTM42 - Magnetic clutch



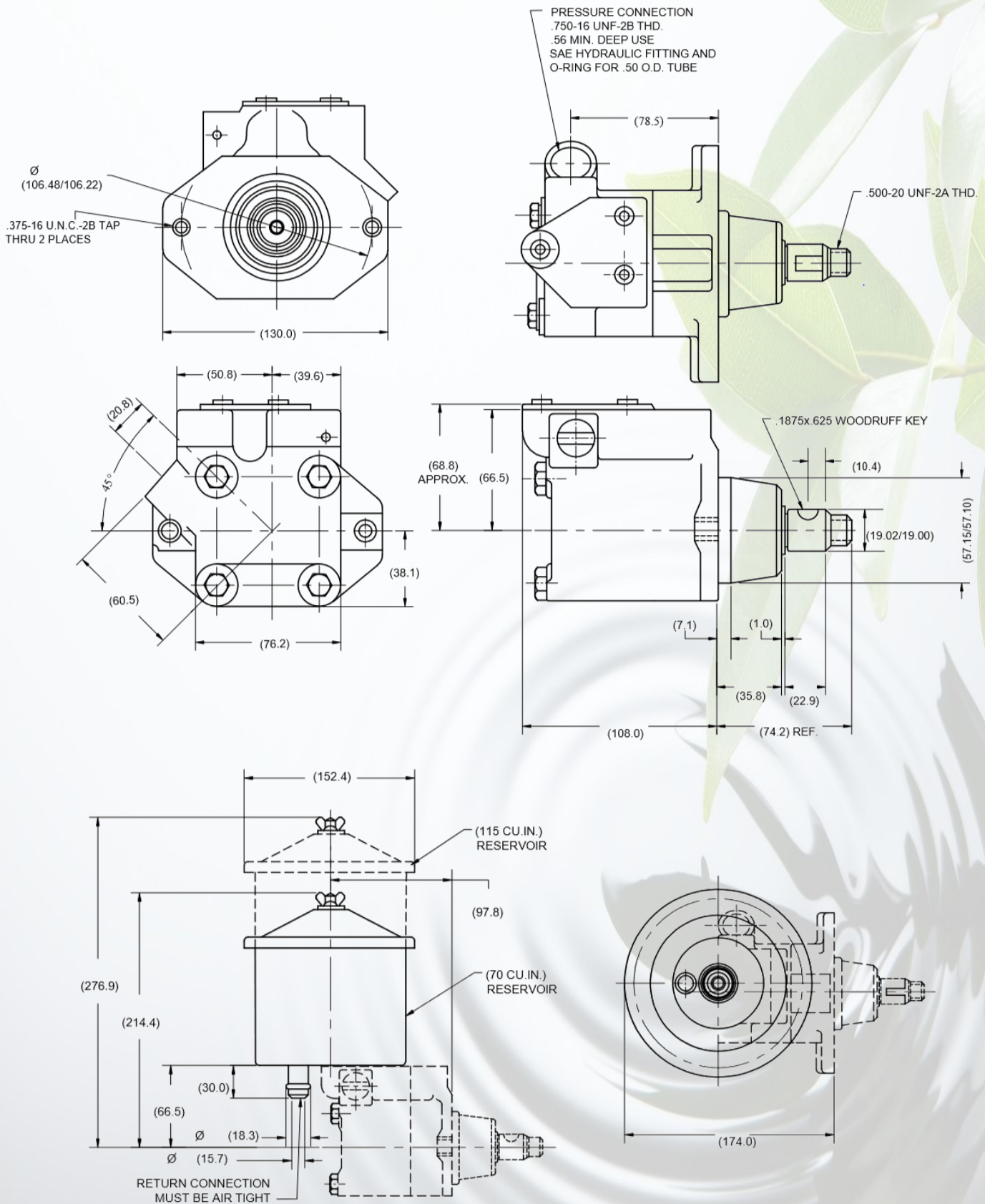
Static break-away torque rating at 12 V DC. Current amp draw is 3.8 A. RES.3.1 Ω
75-85 Lbs.ft.

Static break-away torque rating at 24 V DC. Current amp draw is 2 A RES 12.5 Ω
75-85 Lbs.ft.

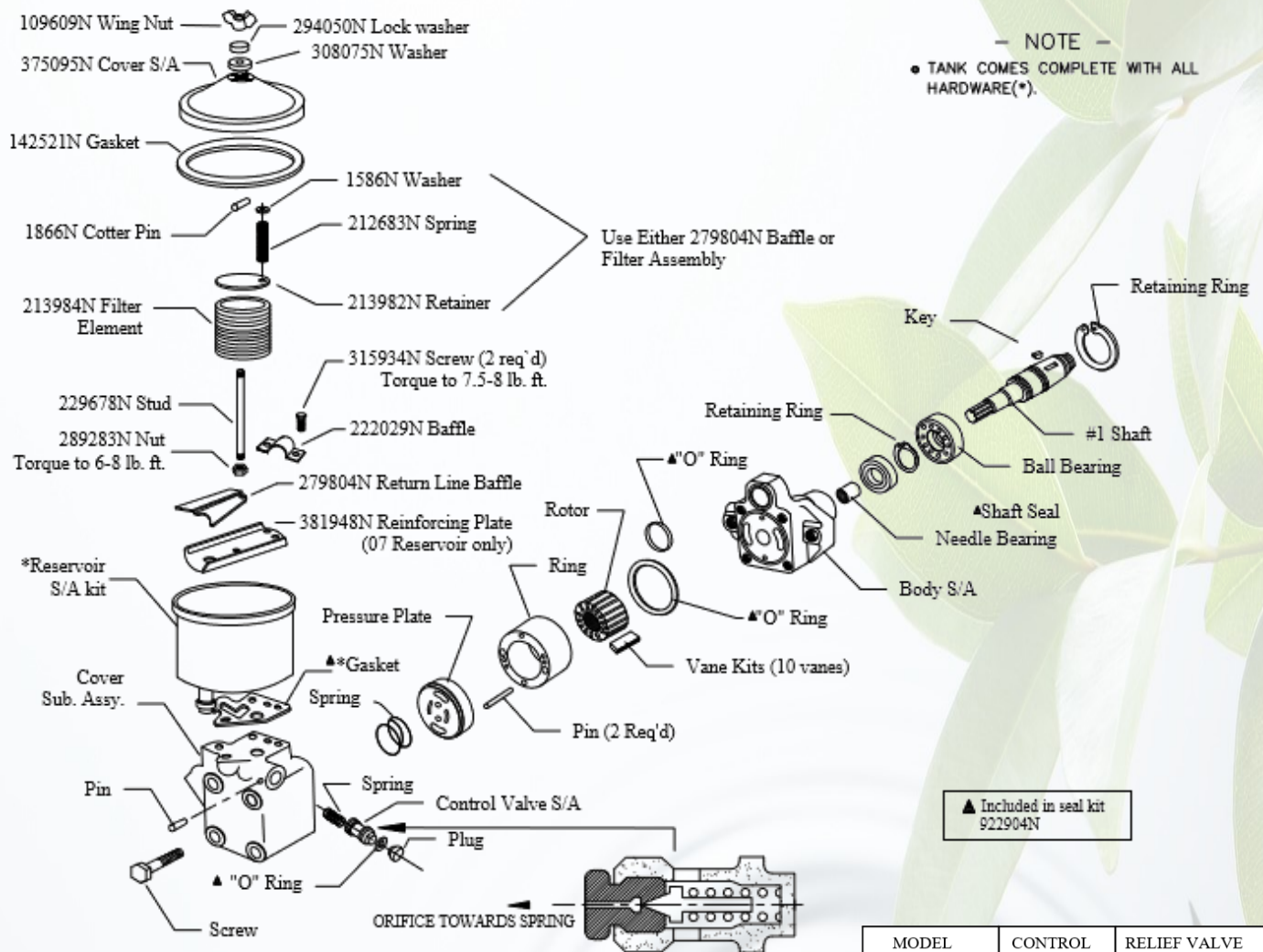
Power steering pump



Power steering pump



Power steering pump - Service parts information



MODEL	CARTRIDGE	ROTOR	VANE KIT (10 Vanes)	RING	PIN (2 req'd)	PRESSURE PLATE	SPRING
VTM** - 10	923087N	213860N	912139N	296594N	217308N	276396N	289281N
VTM** - 15	923088N			296595N			
VTM** - 20	923089N			296596N			
VTM** - 40	923090N			296597N			
VTM** - 50	923091N	213859N	922594N	296598N	154364N		245507N
VTM** - 60	923092N			296599N			

MODEL	CONTROL VALVE S/A	RELIEF VALVE SETTING
VTM***-02	229613	250PSI
VTM***-03	255515	300PSI
VTM***-05	233018	500PSI
VTM***-06	247615	600PSI
VTM***-07	232794	750PSI
VTM***-08	397339	850PSI
VTM***-10	232795	1000PSI
VTM***-12	232796	1250PSI
VTM***-15	232797	1500PSI
VTM***-17	232798	1750PSI
VTM***-20	232799	2000PSI

Model	Reservoir S/A Kit	Seal Kit	Body S/A Kit	Needle Bearing	Shaft Seal	Retaining Ring	Ball Bearing	#1 Shaft	Key	Retaining Ring	Filter Element
VTM-42-ST	70 Cu.in. 923837N	922904N	923951N	222440N	263585N	193732N	148423N	250455N	1606N	172376N	213984N
VTM-42-BT	115 Cu.in. 923838N										

Cartridge kit rotation

To change cartridge kit rotation slide cam ring over rotor and vanes, making sure that radius edge of vanes is toward cam ring. Insert locating pins through cam ring, position cam ring so that the arrow on cam ring is pointing in the proper direction.

Flow control relief valve

When installing control relief valve install hex head first into the cover bore seating on the spring. Press plug fully in and insert lock pin.

**** WARNING****

**** Failure to follow these steps could cause serious malfunctions and pressures to rise to dangerous levels. ****



TAON Hydraulic Components ApS are specialists in hydraulic solutions, components and tool.
TAON Hydraulic Components ApS • +45 24 48 84 80 • info@taon.dk • www.taon.dk

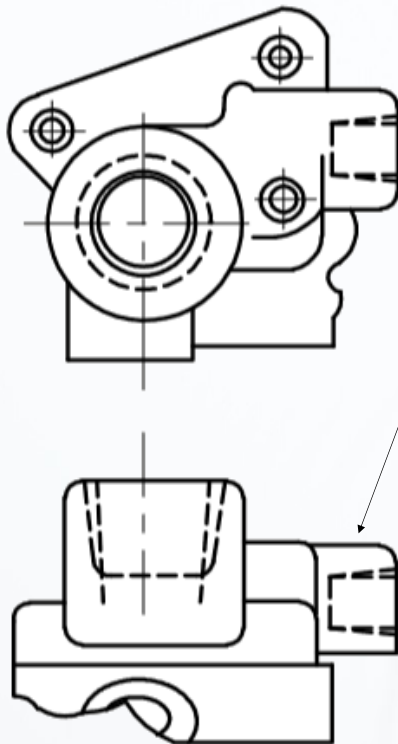
Power steering pump

Manifold - MF



MANIFOLD "MF" (275276N)

- 3/4 NPT Connection
- C/W 1/4 NPT Bypass



This tank bypass conn. is required for installations which operate at pump relief valve pressures for periods exceeding 15 seconds. Connection must be made below oil level in reservoir.