



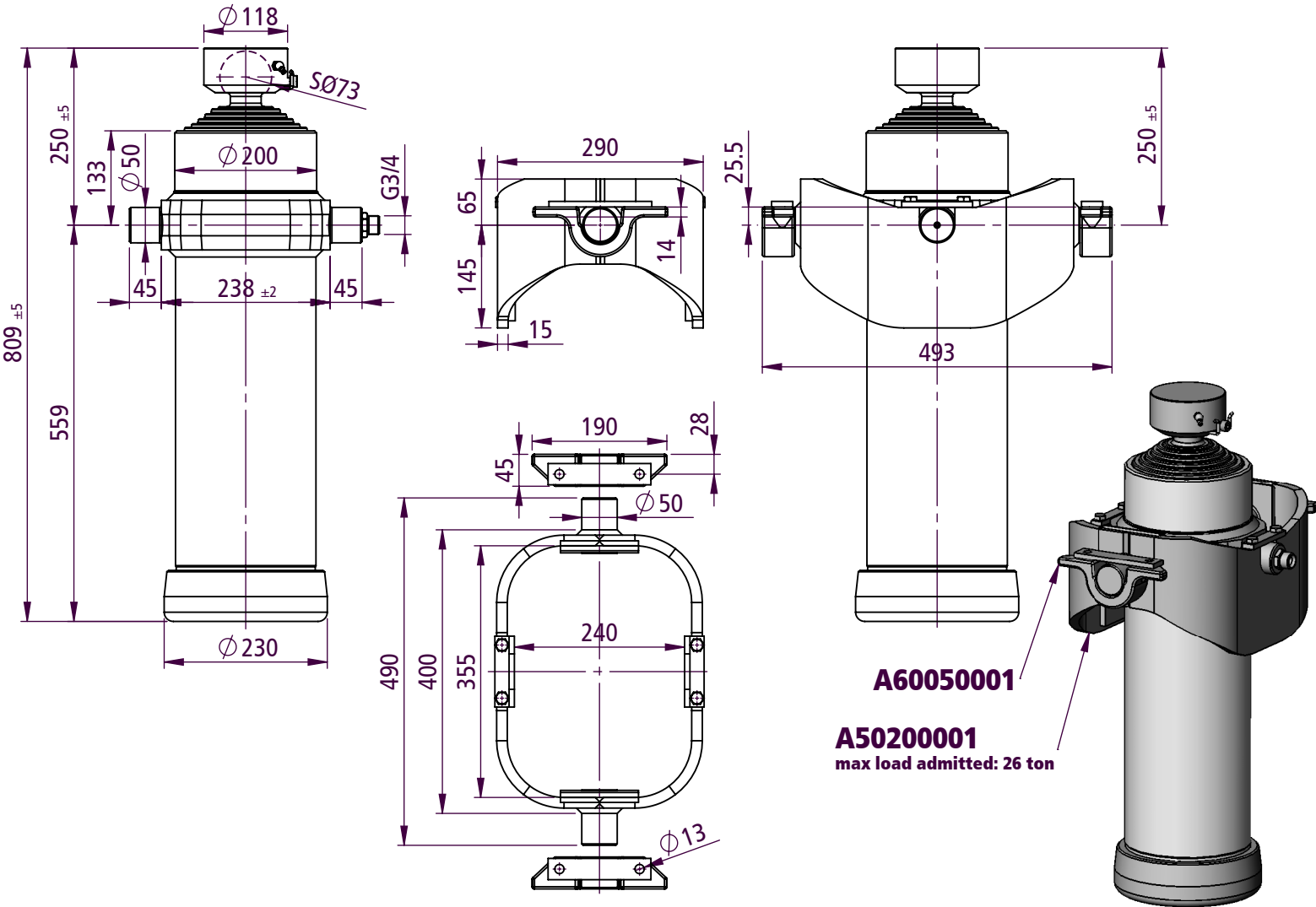
Under-body cylinder, pins - ball

Part Number

1106701746001

Tipping weight

17-33 ton



mounting dimension	250 mm + 20 mm min pull out	total stroke	3338 mm	max pressure	200 bar
model:	IND670 3338 174 6	code:	1106701746001	weight:	133 kg
				HS Penta	

extension	1	2	3	4	5	6	-	-	-	--	--	number of stages: 6
diameter [mm]	174	154	135	116	98	79	--	--	--	--	--	
stroke [mm]	557	557	555	555	557	557	--	--	--	--	--	total: 3338 mm
thrust [kN]	476	373	286	211	151	98	--	--	--	--	--	max thrust admitted: 163 kN
oil [dm³]	13.2	10.4	7.9	5.9	4.2	2.8	--	--	--	--	--	total: 44.4 dm³

TECHNICAL NOTES AND SPECIFICATIONS

- The normal application of telescopic cylinder is to lift up tipping bodies, loaded with different materials, and consequently discharge this material whilst the cylinder is extended all along its stroke.
- The body weight plus the max payload are the max tipping weight that can be raised by the cylinder. This value, calculated at the max pressure, is a rough indication of the tipping power of the cylinder and must be used as a first criteria for the selection of the cylinder. The real tipping mass can only be calculated by the design engineer of the dump truck, and must take into account the geometry of the dump body and operating conditions. Never exceed the maximum thrust.
- Never exceed maximum pressure.
- The cylinder has been designed for loads along the longitudinal axis: the cylinder is a lifting device only and may not be used as structural member or be subject to side load.
- The ordinary use of telescopic cylinder does not require any coating as the telescopic stages are exposed to atmospheric agents only during the tip-up operation. Therefore telescopic cylinders will be supplied without any coating in absence of any specific requirements.
- H.S.PENTA warranty does not apply to any kind of corrosion of coated or non-coated parts. See terms of warranty.
- Maximum extension speed less than 0.2 m/s.
- Hydraulic oil temperature admitted between -40°C and +100°C.
- In case the cylinders must be stored, do not remove the package. Store them in a dry place, not exposed to rain. Do not store the cylinders for more than 6 (six) months.
- Further specifications see mounting instructions, hydraulic oil specification sheet, user & maintenance manual.

REMARKS [1991.04.03] [1991.04.03]

Old code: 1M026706 (Codice vecchio: 1M026706)

REVISIONS

2010.06.14 - Aggiornamento dati	01
2010.10.18 - Inserito bilanciare	02
	03
	04