

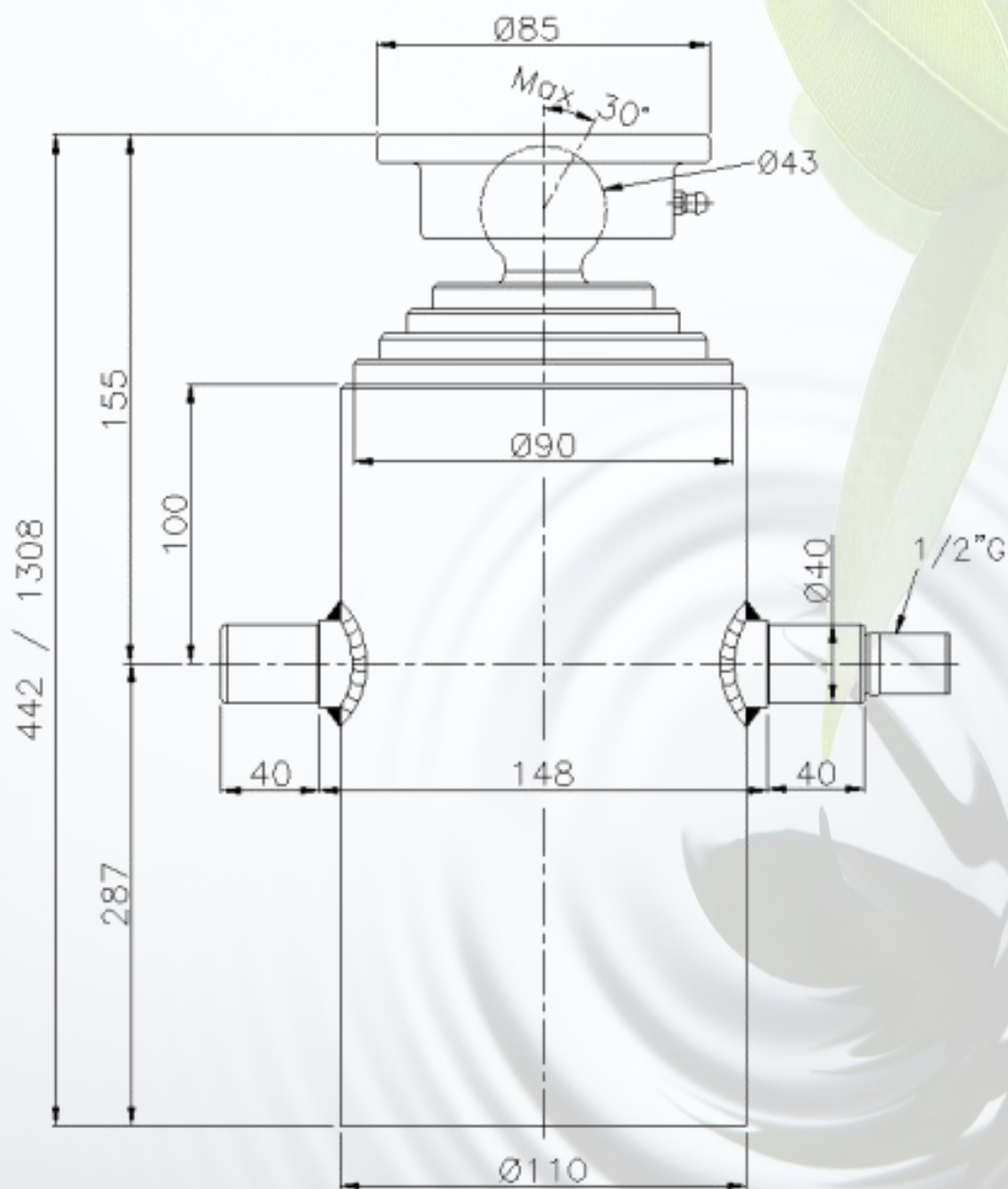
VT105/4/1153 Telescopic cylinder

4 steps

Total stroke: 1153 mm

Max. Working pressure: 200 bar

Max. Load: 10 ton



TAON Hydraulic Components ApS are specialists in hydraulic solutions, components and tool.

TAON Hydraulic Components ApS • +45 24 48 84 80 • info@taon.dk • www.taon.dk

© TAON Hydraulic will always help you find the best solution.